

WHEEL LOADERS

To full fill the needs and demands of her customers TOBROCO offers a wide range of wheel loaders. This range consists out of 25 different types of loaders with a service weight between 1.000 kg and 6.000 kg. In this leaflet, we will show you the range of GIANT with a service weight of 2.350 kg to 2.770 kg. These loaders are powered by a 36 hp Kubota engine or a 45 hp Kubota turbo engine. For further information about other types and implements we refer to our other leaflets or our website (www.tobroco-giant.com).



V362

The GIANT V362 is with its 36 hp Kubota engine, the lightest loader in this range. This loader has regular axles (no planetary), one gear and speed up to 18 km/h. Because the motor cover can topple over, the new models are even better accessible for maintenance and service. These models are very suitable if you work on a flat surface and have to transport a load within a small area. These loaders are used very much on horse nurseries.



V452T & V452T X-TRA

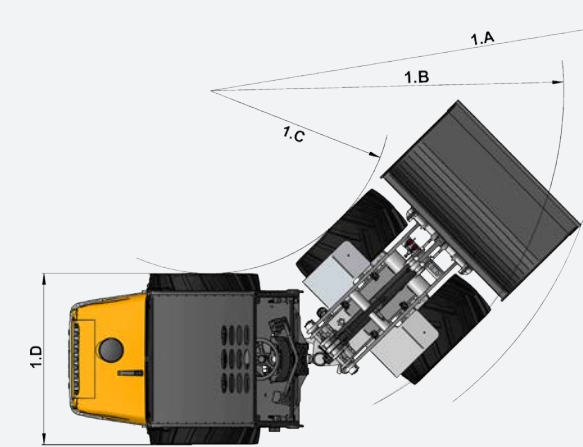
The GIANT V452T and the GIANT V452T X-TRA are our smallest wheel loaders with two gears and heavy planetary axles with automatic differential lock in our assortment. The loaders are powered with a 45 hp Kubota turbo engine. Also the well known "X-TRA" versions are available in this new design. Because of the lower front frame these GIANT's have a higher tipping load, even through the machine is very light and complete. Like the previous models of these types, they are optional also available with 3 point lifting mechanism (cat.1) including a 4th function mechanical and PTO.

TECHNICAL SPECIFICATIONS



V452T HD & V452T X-TRA HD

Because of the demands of our customers for a GIANT with a higher driving speed, TOBROCO-GIANT has developed the GIANT V452T HD and the GIANT V452T X-TRA HD. The heavy transmission (Heavy Duty, 12 tons axles) has the advantage of high speed (up to 28 km/h) and at the same time higher performances. Because of the higher service weight the HD models will give higher tipping loads than the normal GIANT V452T and the GIANT V452T X-TRA.



	V362	V452T	V452T HD	V452T X-TRA	V452T X-TRA HD
Engine	4 cylinder Kubota 36 hp / 26 kW	4 cylinder Kubota turbo 45 hp / 33 kW	4 cylinder Kubota turbo 45 hp / 33 kW	4 cylinder Kubota turbo 45 hp / 33 kW	4 cylinder Kubota turbo 45 hp / 33 kW
Transmission	Hydraulic 4WD with automotive control, drive shafts	Hydraulic 4WD with automotive control, drive shafts, 8 tonnes axles, Planetary end drive	Hydraulic 4WD with automotive control, drive shafts, 12 tonnes axles, Planetary end drive	Hydraulic 4WD with automotive control, drive shafts, 8 tonnes axles, Planetary end drive	Hydraulic 4WD with automotive control, drive shafts, 12 tonnes axles, Planetary end drive
Driving speed	0 - 18 km/h	0 - 10 km/h - 0 - 20 km/h	0 - 10 km/h - 0 - 28 km/h	0 - 10 km/h - 0 - 20 km/h	0 - 10 km/h - 0 - 28 km/h
Working hydraulics	51 L/min (180 bar)	51 L/min (210 bar)	51 L/min (210 bar)	51 L/min (210 bar)	51 L/min (210 bar)
Tipping load ¹	2.000 kg	2.050 kg	2.200 kg	2.600 kg	2.700 kg
Lift capacity	1.750 kg	1.750 kg	1.800 kg	2.200 kg	2.250 kg
Weight ²	2.350 kg	2.400 kg	2.770 kg	2.400 kg	2.770 kg
Parking brake	Drum brake	Drum brake	Drum brake	Drum brake	Drum brake
Diesel / Oil capacity	48 L / 54 L	48 L / 54 L	47 L / 54 L	30 L / 54 L	30 L / 54 L
Attachment bracket	GIANT STANDARD Hydraulic	GIANT STANDARD Hydraulic	GIANT STANDARD Hydraulic	GIANT STANDARD Hydraulic	GIANT STANDARD Hydraulic
Tyres (Vehicle width)	10.0/75-15.3 AS (1.040 mm)	11.5/80-15.3 AS (1.100 mm)	11.5/80-15.3 AS (1.100 mm)	11.5/80-15.3 AS (1.100 mm)	11.5/80-15.3 AS (1.100 mm)

	V362	V452T	V452T HD	V452T X-TRA	V452T X-TRA HD
A Wheel base	1.643	1.643	1.643	1.695	1.695
B Total length without bucket	3.247	3.247	3.247	3.316	3.316
C Total length with bucket	4.015	4.015	4.015	4.085	4.085
D Length 3-point lifting arm (option)	540	540	540	540	540
E Min height 3 point hitch	253	253	253	253	253
F Max. height 3 point hitch	652	652	652	652	652
G Seat height	1.296	1.341	1.341	1.341	1.341
H Max. height with ROPS/FOPS safetyroof	2.277	2.322	2.322	2.322	2.322
Max. height with cabin	2.300	2.345	2.345	2.345	2.345
Max. Foldable roof (up)	1.900	1.945	1.945	1.945	1.945
Max. Foldable roof (down)	2.365	2.410	2.410	2.410	2.410
I Height frontframe	1.686	1.731	1.731	1.492	1.492
J Max. dump bucket	2.099	2.144	2.144	1.735	1.735
K Max. bucket pin height	2.919	2.964	2.964	2.498	2.498
max. bucket pin height extended lift arm	3.057	3.102	3.102	--	--
L Height with bucket	3.487	3.532	3.532	3.070	3.070
M Roll back angle ground level	43°	43°	43°	42°	42°
N Roll back angle	45°	45°	45°	47°	47°
O Max. dump angle	43°	43°	43°	37°	37°
P Max. drive angle	27°	30°	30°	30°	30°
Q Diameter standaard tyre	Ø 760	Ø 850	Ø 850	Ø 850	Ø 850
1A Maximum radius	2.972	2.972	2.972	3.045	3.045
1B Outer turning radius	2.560	2.560	2.560	2.623	2.623
1C Inner turning radius	1.460	1.460	1.460	1.523	1.523
1D Total width (until)	1.070	1.100	1.100	1.100	1.100

	V362	V452T	V452T HD	V452T X-TRA	V452T X-TRA HD
S	2.000 kg	2.050 kg	2.200 kg	2.600 kg	2.700 kg
T	1.550 kg	1.580 kg	1.620 kg	1.850 kg	2.000 kg
U	1.050 kg	1.100 kg	1.200 kg	1.320 kg	1.400 kg
U (extended lifting arm)	950 kg	1.000 kg	1.100 kg	1.150 kg	1.250 kg
V	800 kg	850 kg	900 kg	1.050 kg	1.000 kg
W	2.400 kg	2.525 kg	2.650 kg	2.700 kg	2.800 kg
X	1.550 kg	1.600 kg	1.700 kg	1.700 kg	1.800 kg
Y	1.100 kg	1.150 kg	1.250 kg	1.250 kg	1.380 kg

Sizes in mm. Tippingload in straight position, without extra counterweights. Data is subject to change.

¹ Measured on hinge point in straight position.

² Measured with standard bucket and driver.