

# T41-140SLP 100 IV Telescopic Handler

## Telescopic Specifications

### Performance

Lifting height — on stabilisers	13656.0 mm
Lifting height — on tyres	13300.0 mm
Rated capacity	4100 kg
Capacity (at max. height on stabilisers)	4100 kg
Capacity (at max. height on tyres)	2500 kg
Capacity (at max. reach on stabilisers)	1250 kg
Capacity (at max. reach on tyres)	350 kg
Max. reach on tyres	9449.0 mm

### Weights

Weight (unladen)	10030 kg
------------------	----------

### Traction

Standard tyres	DUNLOP 400/80-24 156B T37
1st gear / low range	8.5 km/h
1st gear / high range	30.0 km/h

### Drive System

Transmission	Hydrostatic with electronic regulation
Main drive	Hydrostatic motor

### Engine

Make / Model	Bobcat D34
Fuel	Diesel
Cooling	Coolant
Rated power (ISO 14396:2002) at 2400 RPM	100.0 HP
Rated power (ISO 14396:2002) at 2400 RPM	74.5 kW
Maximum torque at 1400 RPM	430.0 Nm
Number of cylinders	4
Displacement	3.40 L

\*Stage IIIB Bobcat D34 also available in 55kW/75HP version (without SCR/Ad-Blue after-treatment)

### Hydraulic System

Pump type	Gear pump with LS valve
Pump capacity	100.00 L/min
Relief valve pressure setting	250.00 bar

### Cycle Times

Lift time - no load	14.0 s
Lower time - no load	8.5 s
Telescope in time at max. reach - no load	13.0 s
Telescope in time at max. height - no load	11.5 s
Telescope out time at max. reach - no load	20.5 s
Telescope out time at max. height - no load	20.5 s

### Brakes

Engine braking	Hydrostatic
Parking and emergency brake	Passive brake

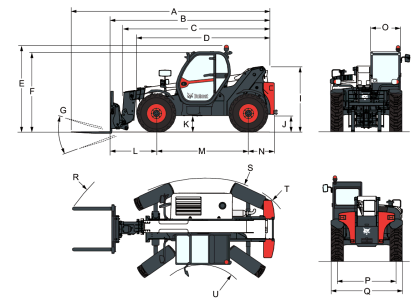
### Fluid Capacities

Fuel tank	145.00 L
Hydraulic reservoir	76.00 L

### Environmental

Operator noise level (LpA) (EN 12053)	78 dB(A)
Level of acoustic power (LWA)	106 dB(A)
Whole body vibration (EN 13059)	1.20 ms <sup>-2</sup>

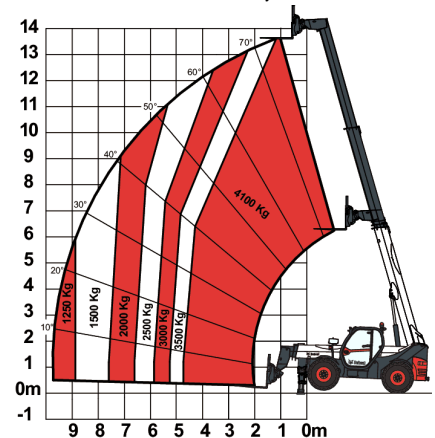
### Dimensions



(-) 857.0 mm	(L) 2151.0 mm
(A) 7313.0 mm	(M) 2850.0 mm
(B) 6108.0 mm	(N) 1107.0 mm
(C) 5709.0 mm	(O) 930.0 mm
(D) 4573.0 mm	(P) 1992.0 mm
(E) 2673.0 mm	(Q) 2418.0 mm
(F) 2536.0 mm	(R) 5745.0 mm
(G) 124.0°	(S) 4150.0 mm
(I) 1956.0 mm	(U) 1519.0 mm
(J) 509.0 mm	

### Load Charts

With forks and standard 400/80x24 tyres, on stabilisers



### Options

Air conditioning	Boom wiring harness and electric connectors
Boom stop	High comfort air suspension seat
Custom colour	Keyless ignition (start/stop with keypad)
Fire extinguisher	Manitou carriage with manual attachment lock
Forward/Reverse control on Steering Wheel Lever (no longer on joystick)	Manitou carriage with hydraulic attachment lock (boom wiring harness mandatory)
Lockable fuel cap	Michelin tyres - set of 4 x 400/80-24" 162A8 IND TL
Loudspeaker & radio ready	POWER CL
PVC Document holder	Pallet forks 1200mm length / Rigid frame / Forks included / Backrest included / For Quicktach tool carrier
Pintle tow hitch (including rear electric socket)	Pallet forks 1200mm length / Floating / 1,44m carriage / Forks included / Backrest included / For Quicktach tool carrier
Protective grill for windshield (front and roof)	Quicktach carriage with hydraulic attachment lock (boom wiring harness mandatory)
Rear Flat Mirror	
Roof window wiper	
Sun visor	
Wheel wedge	
Work lights on boom	
Proportional engine fan with inverter	
Remote control system with on-board charger	
Basic tow hitch	

Rotating tow hitch (including rear electric socket)  
Standard engine ignition (with key) with additional keypad security  
Pallet forks 1200mm length / Floating / 1,12m carriage / Forks included / Backrest included / For Manitach tool carrier  
Pallet forks 1200mm length / Floating / 1,44m carriage / Forks included / Backrest included / For Manitach tool carrier  
Pallet forks 1200mm length / Rigid frame / Forks included / Backrest included / For Manitach tool carrier  
Man platform ready (remote control system, boom wiring harness and boom stop mandatory)  
Protective zinc coat  
Winch ready (boom wiring harness mandatory)  
Support for vehicle registration plate